



CONTRACTOR:	
PROJECT:	DATE:
PREPARED BY:	MODEL#:

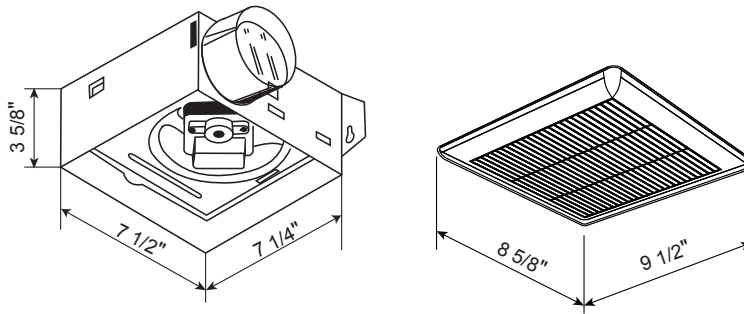
DESCRIPTION

ABF50

50 CFM BATH FAN 3.5 SONES



LINE DRAWING



CONSTRUCTION

Sones
3.5

Air Flow Capacity
50 Cubic Feet per Minute

CFM
50

Duct Size
3 Inches

Housing Material
Galvanized steel

Mounting
Recessed

ELECTRICAL SPECIFICATIONS

Input Voltage
120VAC

Frequency Rating
60 Hertz

Lamp Wattage
45 Watts

CERTIFICATIONS AND WARRANTY

Warranty
Guaranteed for one year from the purchase date of the product, against mechanical defects in manufacturing.

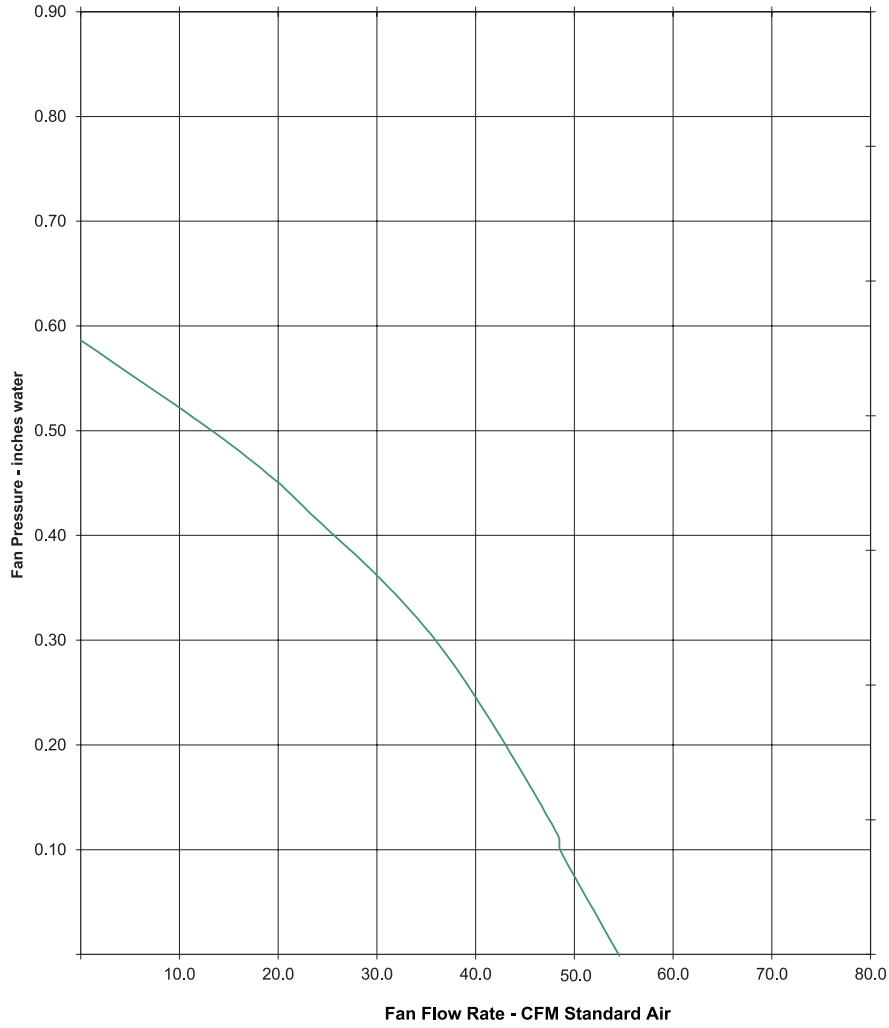
Location Rating
Suitable for Damp locations

APPLICATION AND PERFORMANCE SPECIFICATION IS SUBJECT TO CHANGE WITHOUT NOTIFICATION



CONTRACTOR:	
PROJECT:	DATE:
PREPARED BY:	MODEL#:

FAN FLOW RATE



ORDERING INFORMATION

Example: ABF50

SERIES	CFM
ABF	[50]: 50 CFM