

MODEL :		TYPE
PROJECT :		
PREPARED BY :	DATE :	

SERIES SPECIFICATIONS

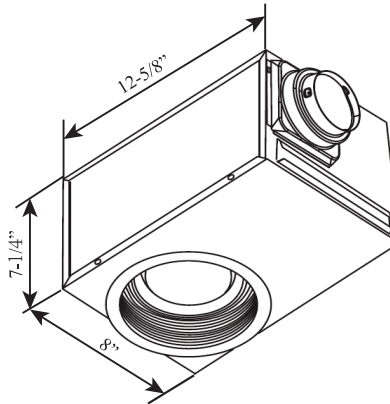
ABF SERIES

The ABF series bath fans are high performance, bath fans designed to exhaust air quietly and efficiently.

May be used over tub or shower when installed in a GFCI branch circuit.



LINE DRAWING



CONSTRUCTION

Housing Material
26GA galvanized steel

Motor Type
Centrifugal type blower wheel

Duct Diameter
4" & 5"

Blower Wheel
Centrifugal type

Collar
4" & 5" duct adapter included.

Grill Material
Polymeric resin 6" Trim

Grill Mounting
Torsion spring clips

Overload Protection
Built-in overload disconnect

ELECTRICAL SPECIFICATIONS

Input Voltage
120 VAC

Frequency
60 Hz

Fan Wattage
28W



APPLICATION AND PERFORMANCE SPECIFICATION INFORMATION IS SUBJECT TO CHANGE WITHOUT NOTIFICATION

660 NW PEACOCK BLVD. | PORT ST. LUCIE, FL 34986 | TEL: 772.879.0178 | TAMLITEUSA.COM

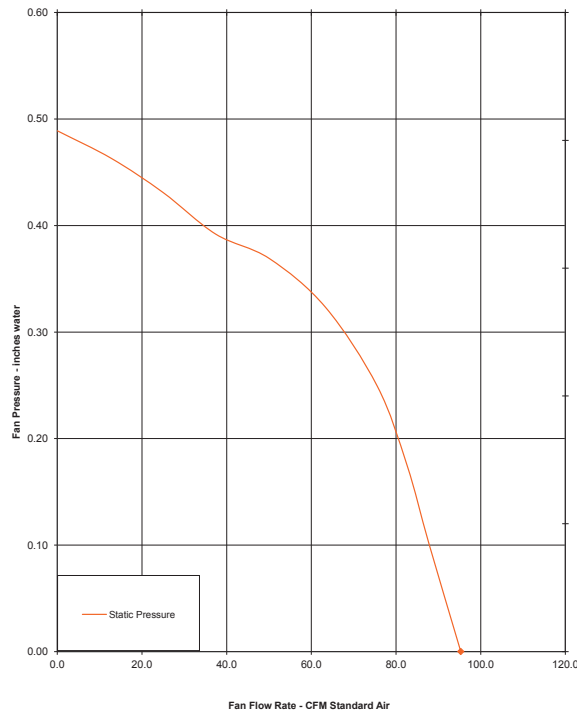


MODEL :		TYPE
PROJECT :		
PREPARED BY :	DATE :	

ELECTRICAL SPECIFICATIONS CONT.

Static Pressure Min. 0.1	Static Pressure Max. 0.25	Air Volume (CFM) Min. 80
Air volume (CFM) Max. 63	Sones 1.2	Max Lamp Wattage 26W CFL

PERFORMANCE SPECIFICATIONS



CERTIFICATIONS/WARRANTY

Listing
ETL Listed

Location Rating:
Suitable for Damp locations

Warranty
Guaranteed for one year from the purchase date of the product, against mechanical defects in manufacturing.





MODEL :		TYPE
PROJECT :		
PREPARED BY :	DATE :	

ORDERING INFORMATION

Part Number: ABF80R

ABF	80	R
SERIES	CFM	OPTIONS
ABF	[80] : 80 CFM	[R] : Recessed

