



CONTRACTOR:	
PROJECT:	DATE:
PREPARED BY:	MODEL#:

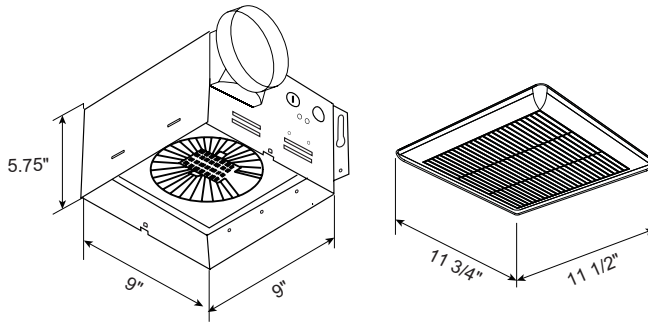
DESCRIPTION

ABF100

100 CFM BATH FAN 120V 0.6 SONES



LINE DRAWING



CONSTRUCTION

Sones

0.6

Air Flow Capacity

100 Cubic Feet per Minute

CFM

100

Mounting

Recessed

Housing Material

Galvanized steel

ELECTRICAL SPECIFICATIONS

Input Voltage

120VAC

Frequency Rating

60 Hertz

CERTIFICATIONS AND WARRANTY

Warranty

Guaranteed for one year from the purchase date of the product, against mechanical defects in manufacturing.

Location Rating

Suitable for Damp locations

APPLICATION AND PERFORMANCE SPECIFICATION IS SUBJECT TO CHANGE WITHOUT NOTIFICATION

11675 SW TOM MACKIE BLVD. | PORT ST. LUCIE, FL 34987 | PH: 772.878.4944 | TAMLITEUSA.COM A DIVISION OF TAMCO



CONTRACTOR:	
PROJECT:	DATE:
PREPARED BY:	MODEL#:

ORDERING INFORMATION

Example:ABF100

SERIES	CFM
ABF	[100]: 100 CFM