



CONTRACTOR:	
PROJECT:	DATE:
PREPARED BY:	MODEL#:

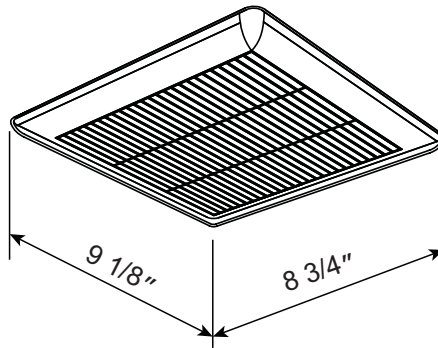
DESCRIPTION

50CFM Bath Ventilation Motor and Grille

The ABF50M Motor and Grille is designed for use with Addvent's ABF50H, they are designed to exhaust air quietly and efficiently.



LINE DRAWING



CONSTRUCTION

Motor Type
Centrifugal type blower wheel

Grill Mounting
Torsion spring clips

Blower Wheel
Centrifugal type

Overload Protection
Built-in overload disconnect

Grill Material
Polymeric resin

For Use With
ABF50H

ELECTRICAL SPECIFICATIONS

Input Voltage
120 VAC

Static Pressure
Min. 0.1

Frequency
60 Hz

Air Volume (CFM)
Min. 50

Fan Wattage
38W

Sones
3.5



CONTRACTOR:	
PROJECT:	DATE:
PREPARED BY:	MODEL#:

ORDERING INFORMATION

Example: ABF50M

SERIES	CFM	OPTION
ABF	[50] : 50 CFM	[M] : Motor and Grille