

MODEL :		TYPE
PROJECT :		
PREPARED BY :	DATE :	

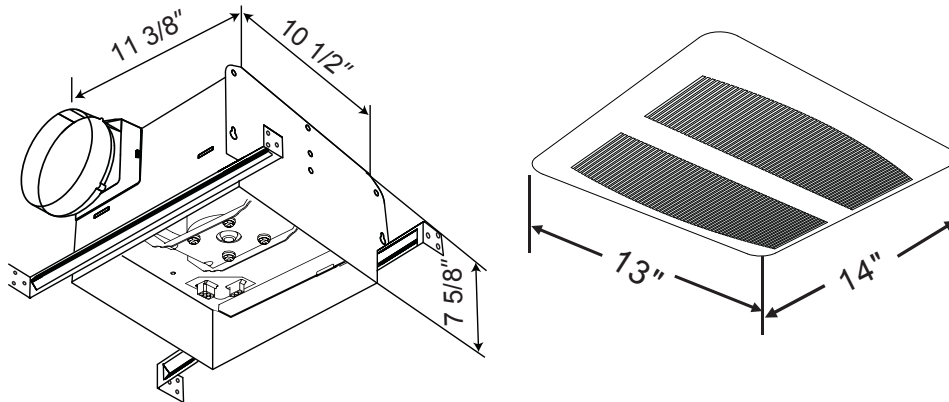
SERIES SPECIFICATIONS

ABFQ SERIES

The ABFQ series bath fans are ultra quiet, high performance, bath fans designed to exhaust air quietly and efficiently.



LINE DRAWING



CONSTRUCTION

Housing Material
26GA galvanized steel

Motor Type
Centrifugal type blower wheel

Duct Diameter
6"

Blower Wheel
Centrifugal type

Collar
Detachable 6" polymeric collar includes a light weight built in back draft damper.

Grill Material
Polymeric resin

Grill Mounting
Torsion spring clips

Overload Protection
Built-in overload disconnect

ELECTRICAL SPECIFICATIONS

Input Voltage
120 VAC

Frequency
60 Hz

Fan Wattage
33W



APPLICATION AND PERFORMANCE SPECIFICATION INFORMATION IS SUBJECT TO CHANGE WITHOUT NOTIFICATION

660 NW PEACOCK BLVD. | PORT ST. LUCIE, FL 34986 | TEL: 772.879.0178 | TAMLITEUSA.COM

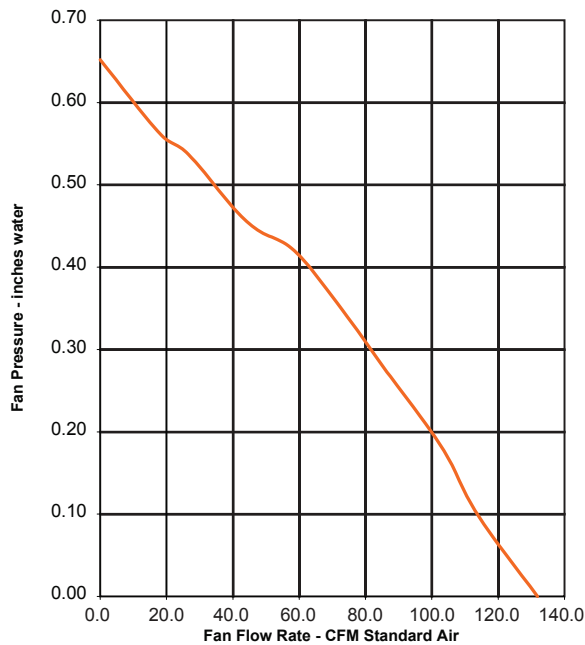


MODEL :		TYPE
PROJECT :		
PREPARED BY :	DATE :	

ELECTRICAL SPECIFICATIONS CONT.

Static Pressure Min. 0.1	Static Pressure Max. 0.25	Air Volume (CFM) Min. 110
Air volume (CFM) Max. 100	Sones 0.9	

PERFORMANCE SPECIFICATIONS



CERTIFICATIONS/WARRANTY

Listing
ETL Listed

Location Rating:
Suitable for Damp locations

Warranty

Guaranteed for one year from the purchase date of the product, against mechanical defects in manufacturing.





MODEL :		TYPE
PROJECT :		
PREPARED BY :	DATE :	

ORDERING INFORMATION

Part Number: ABFQ110

ABFQ	110	
SERIES	CFM	OPTIONS
ABFQ	[110]: 110 CFM	

