

MODEL :		TYPE
PROJECT :		
PREPARED BY :	DATE :	

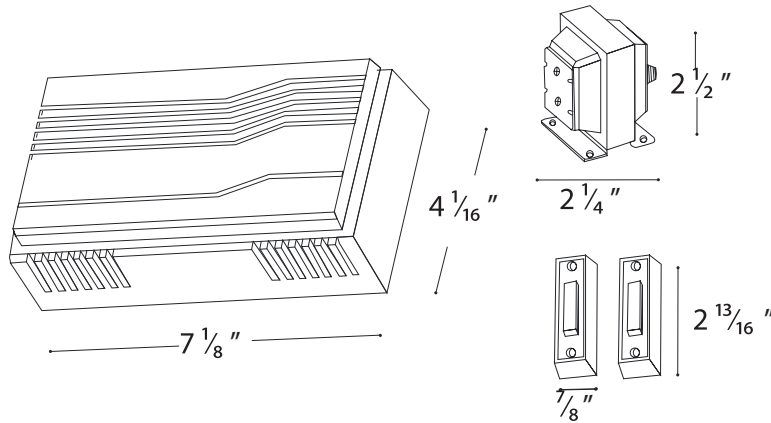
SERIES SPECIFICATIONS

DB3 SERIES

Never miss a visitor with our versatile single or double gang door chime kits. The Included hardwired push buttons are UL listed and each kit includes a 10VA transformer.



LINE DRAWING



CONSTRUCTION

Cover Material
HPS white plastic

Mounting Screws
2 base screws, 4 push button screws

Size
Covers double gang box

Chime Front Door
2-note

Tone Bar Material
Steel, painted black

Sound Level
dB \geq 75db*

Buttons
1 white-lighted, one unlit hardwired push buttons

Chime Back Door
1-note

TRANSFORMER SPECIFICATIONS

Transformer Type
10VA transformer

Transformer Wattage
10W

Transformer Voltage
16V



APPLICATION AND PERFORMANCE SPECIFICATION INFORMATION IS SUBJECT TO CHANGE WITHOUT NOTIFICATION

660 NW PEACOCK BLVD. | PORT ST. LUCIE, FL 34986 | TEL: 772.879.0178 | TAMLITEUSA.COM



MODEL :		TYPE
PROJECT :		
PREPARED BY :		DATE :

CERTIFICATIONS/WARRANTY

Listing
UL Listed

Warranty
Guaranteed for one year from the purchase date of the product, against mechanical defects in manufacturing.

ORDERING INFORMATION

Part Number: DB3-2WH

NOTES

*Decibel level measured on "A" scale at 3 feet

