



CONTRACTOR:	
PROJECT:	DATE:
PREPARED BY:	MODEL#:

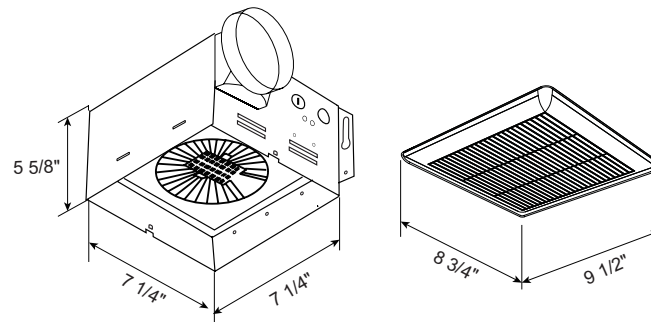
DESCRIPTION

ABFCFMA-50100

The ABF series bath fans are high performance, bath fans designed to exhaust air quietly and efficiently.



LINE DRAWING



CONSTRUCTION

Housing Material

26GA galvanized steel

Motor Type

Centrifugal type blower wheel

Duct Diameter

4"

Blower Wheel

Centrifugal type

Collar

Detachable 4" polymeric collar includes a light weight built in back draft damper.

Grill Material

Polymeric resin

Grill Mounting

Torsion spring clips

Overload Protection

Built-in overload disconnect

ELECTRICAL SPECIFICATIONS

Input Voltage

120VAC

Frequency

60 Hz

Fan Wattage

11W

Static Pressure

Min. 0.1

Air Volume (CFM)

Min. 50-100

Sones

0.3/1.0/1.5



CONTRACTOR:	
PROJECT:	DATE:
PREPARED BY:	MODEL#:

ORDERING INFORMATION

Example: ABFCFMA-50100

SERIES	CFM
ABF	[CFMA-50100] : 50-100 CFM